



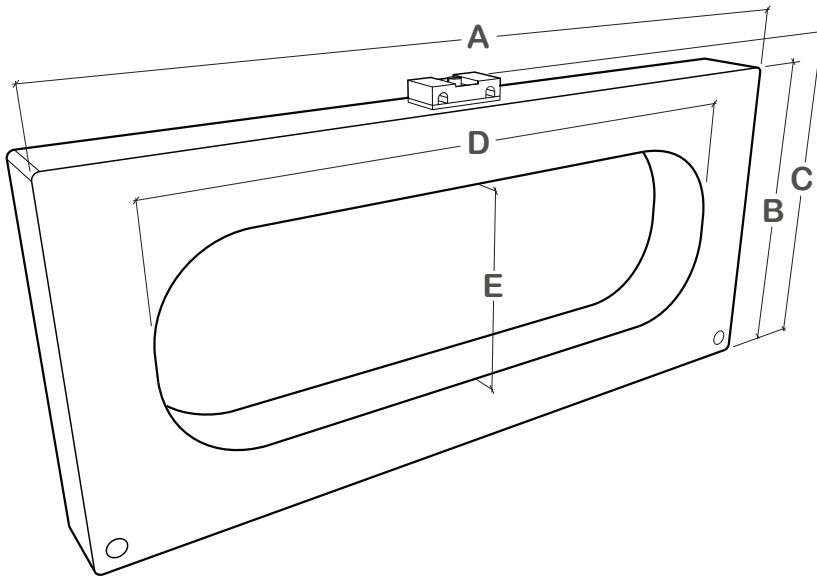
technical data

Type	: Solid-core
Frequency	: 50 / 60 Hz
Insulation	: 600V / 50 Hz 1 min.
Sec. Burden	: 10 VA
Connection	: Terminal Block

For optimal performance and accuracy, we strongly recommend using only the original Z.C.T. specifically designed for use with the device.

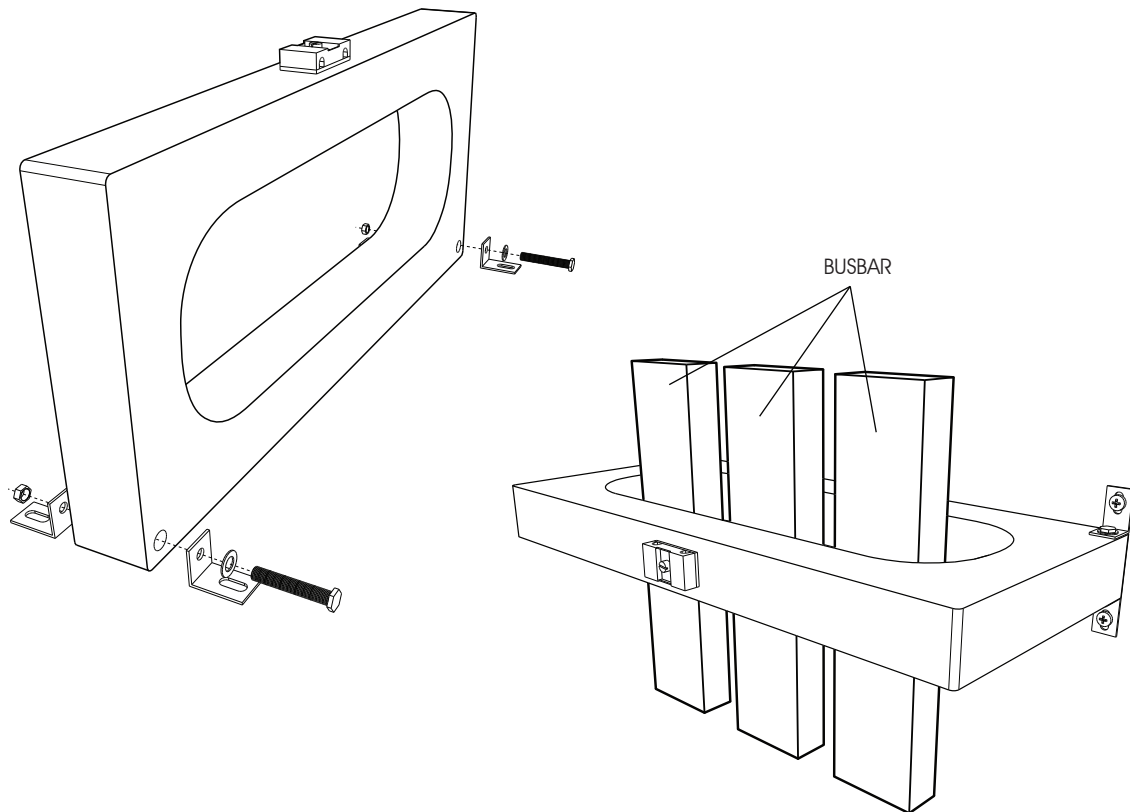
Using non-original Z.C.T. may compromise performance and measurement accuracy. Please note that the warranty does not cover any failures resulting from the use of unauthorized or incompatible Z.C.T.

dimension



ZPC	400R	500R
A (mm)	500	612
B (mm)	224	272
C (mm)	240	288
D (mm)	400	500
E (mm)	120	160
Weight (kg)	10	14.5

mounting



ordering information

Model
ZPC-400R
ZPC-500R

Note: All measurement in mm.