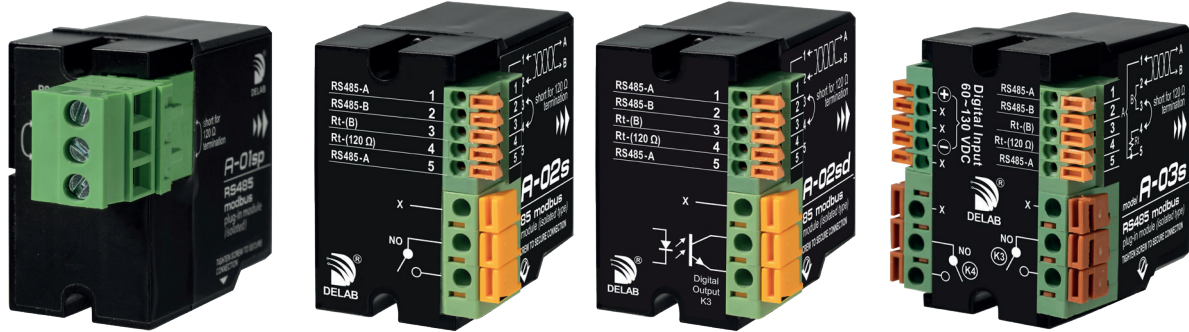


External plug-in module

A-01sp/02s/02sd/03s



isolated RS-485 Modbus RTU



A-01sp

A-02s

A-02sd

A-03s

Models

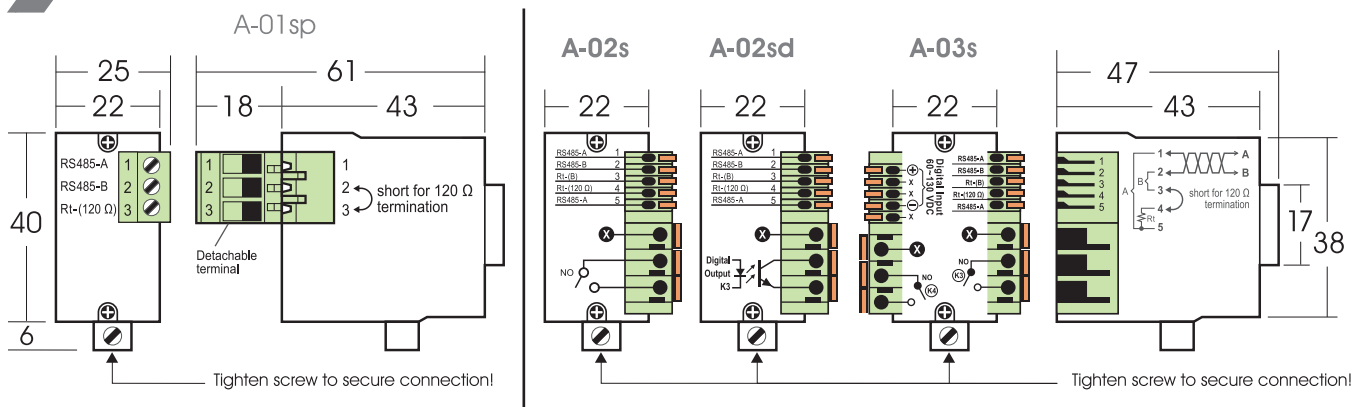
A-01sp (For all DP series, PQM-1000s, DM-50, NV-5 & NV-7)
RS485 Modbus RTU

A-02s (Only for DP-34 & DM-50)
RS485 Modbus RTU + 1 output contact
Output Contact Rating :
SPST 5A, 250 VAC / 30 VDC

A-02sd (Only for DP-34)
RS485 Modbus RTU + 1 digital output
Digital Output Rating :
24 VDC, max. 50 mA (optically isolated)

A-03s (Only for DP-34)
RS485 Modbus RTU + 2 output contact + 1 digital input
Output Contact Rating :
SPST 5A, 250 VAC / 30 VDC
Digital Input Rating :
60~130 VDC (optically isolated)

casing dimension



All measurement in mm.

X : No connection

Note: Specification subject to change without prior notification (please visit www.delab.com.my for latest specification)

